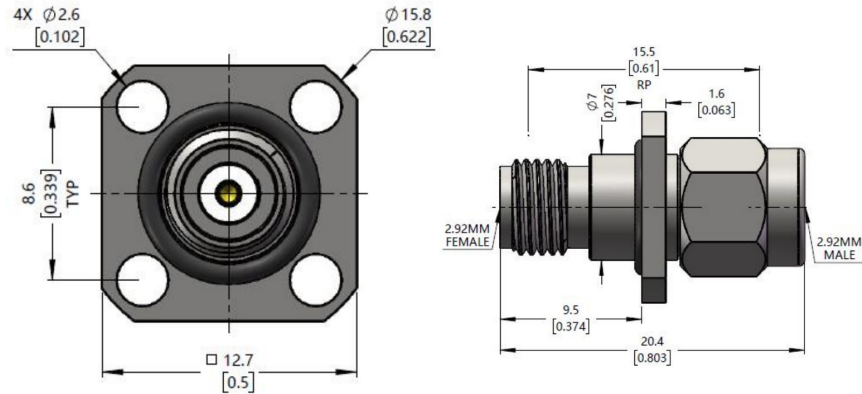




2.92mm(K,SK) Male to 2.92mm(K,SK) Female, Adapter, RA4003FS-2
DC-40GHz, Straight, 4 hole flange

Dimensions(mm) Tolerance±1%



Electrical & Environmental

Frequency Range	DC-40GHz	Impedance	50 ohm
VSWR	1.15 max	Operating Temp	-55°C to +165°C
Insertion Loss	0.25dB max		

Mechanical & Product Information

Product Number	RA4003FS-2, JP-Grade	Connector	2.92mm(K,SK) Male to 2.92mm(K,SK) Female
Connector Body	Passivated stainless steel	Shape/Mounting	Straight, 4 hole flange
Center Contact	Gold plated beryllium copper	Insulator	PEI