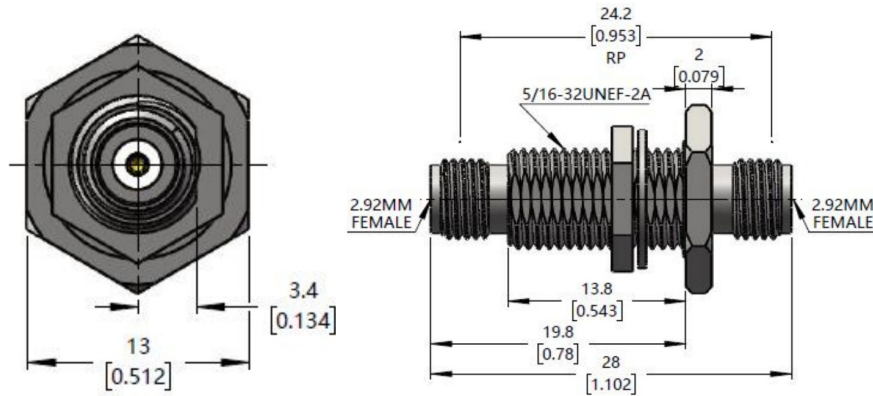




2.92mm(K,SK) Female to 2.92mm(K,SK) Female, Adapter, RA4001Y-4 DC-40GHz, Straight, Bulkhead

Dimensions(mm) Tolerance $\pm 1\%$



Electrical & Environmental

Frequency Range	DC-40GHz	Impedance	50 ohm
VSWR	1.2 max	Operating Temp	-55°C to +165°C
Insertion Loss	0.32dB max		

Mechanical & Product Information

Product Number	RA4001Y-4, JP-Grade	Connector	2.92mm(K,SK) Female to 2.92mm(K,SK) Female
Connector Body	Passivated stainless steel	Shape/Mounting	Straight, Bulkhead
Center Contact	Gold plated beryllium copper	Insulator	PEI