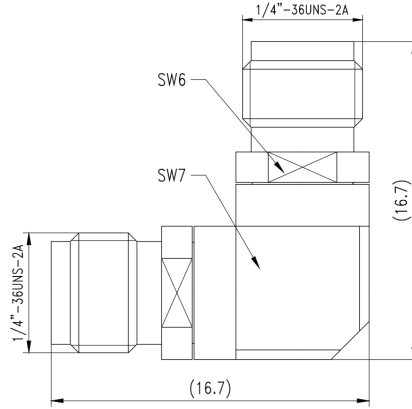




2.92mm(K,SK) Female to 2.92mm(K,SK) Female, Adapter, RA4001W DC-40GHz, Right Angle

Dimensions(mm) Tolerance±1%



Electrical & Environmental

Frequency Range	DC-40GHz	Impedance	50 ohm
VSWR	1.25 max	Operating Temp	-55°C to +165°C
Insertion Loss	0.40dB max $\leq 0.08\sqrt{f(\text{GHz})}$ dB		

Mechanical & Product Information

Product Number	RA4001W, JP-Grade	Connector	2.92mm(K,SK) Female to 2.92mm(K,SK) Female
Connector Body	Passivated stainless steel	Shape/Mounting	Right Angle, None
Center Contact	Gold plated beryllium copper	Insulator	PEI

Typical Test Data

