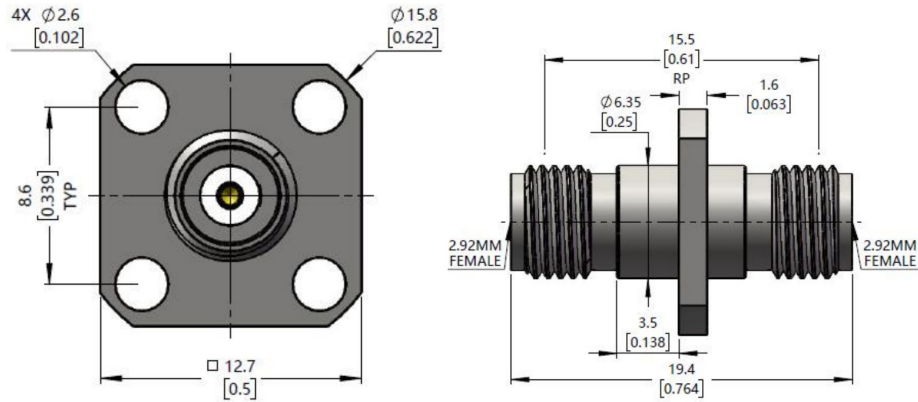


2.92mm(K,SK) Female to 2.92mm(K,SK) Female, Adapter, RA4001F-4 DC-40GHz, Straight, 4 hole flange

Dimensions(mm) Tolerance $\pm 1\%$



Electrical & Environmental

Frequency Range	DC-40GHz	Impedance	50 ohm
VSWR	1.2 max	Operating Temp	-55°C to +165°C
Insertion Loss	0.25dB max		

Mechanical & Product Information

Product Number	RA4001F-4, JP-Grade	Connector	2.92mm(K,SK) Female to 2.92mm(K,SK) Female
Connector Body	Passivated stainless steel	Shape/Mounting	Straight, 4 hole flange
Center Contact	Gold plated beryllium copper	Insulator	PEI