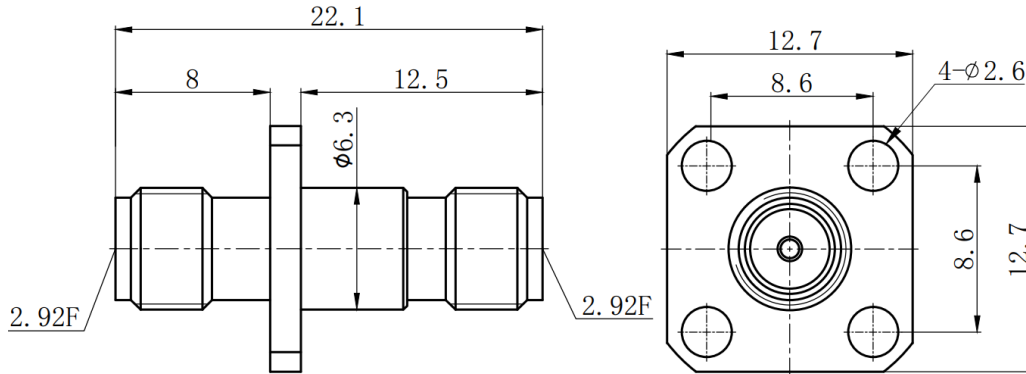




2.92mm Female to 2.92mm Female, Adapter, RA4001F-3 DC-40GHz, Straight, 4 hole flange

Dimensions(mm) Tolerance±1%



Electrical & Environmental

Frequency Range	DC-40GHz	Impedance	50 ohm
VSWR	1.25 max	Operating Temp	-55°C to +165°C

Mechanical & Product Information

Product Number	RA4001F-3, E-Grade	Connector	2.92mm Female to 2.92mm Female
Connector Body	Passivated stainless steel	Shape/Mounting	Straight, 4 hole flange
Center Contact	Gold plated beryllium copper	Insulator	PEI/PEEK

Typical Test Data

