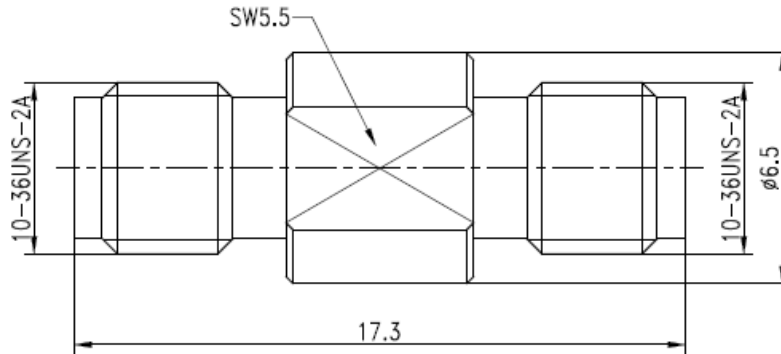


SSMA Female to SSMA Female, Adapter, RA34SA01-GBA DC-33GHz, Straight

Dimensions(mm) Tolerance $\pm 1\%$



Electrical & Environmental

Frequency Range	DC-33GHz	Impedance	50 ohm
VSWR	1.2 max 加两个转接器配对测试	Operating Temp	-40°C to +155°C

Mechanical & Product Information

Product Number	RA34SA01-GBA, JP-Grade	Connector	SSMA Female to SSMA Female
Connector Body	Gold plated brass	Shape/Mounting	Straight, None
Center Contact	1.27um gold plated beryllium copper	Insulator	PTFE

