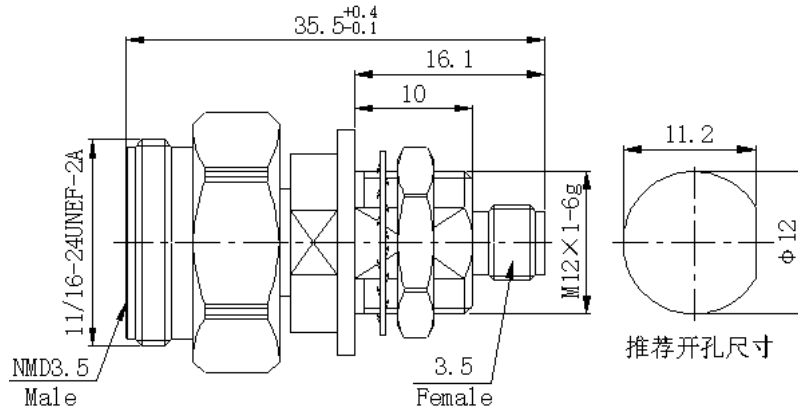




NMD3.5 Male to 3.5mm Female, Adapter, RA3433Y DC-33GHz, Straight, Bulkhead

Dimensions(mm) Tolerance±1%



Electrical & Environmental

Frequency Range	DC-33GHz	Impedance	50 ohm
VSWR	1.2 max	Operating Temp	-55°C to +165°C
Insertion Loss	0.30dB max		

Mechanical & Product Information

Product Number	RA3433Y, E-Grade, NMD Series	Connector	NMD3.5 Male to 3.5mm Female
Connector Body	Passivated stainless steel	Shape/Mounting	Straight, Bulkhead
Center Contact	Gold plated beryllium copper	Insulator	PEI

Typical Test Data

