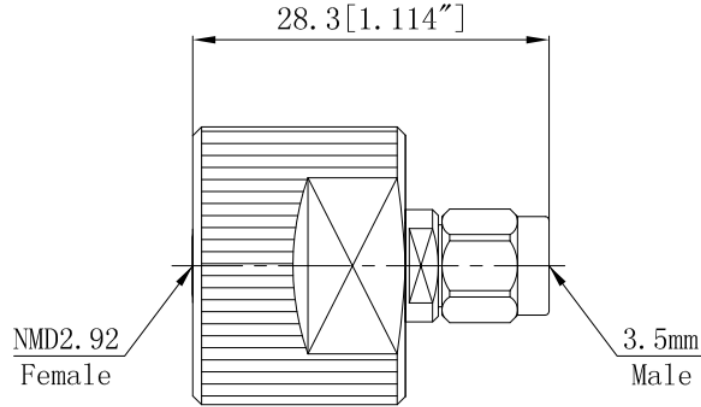




## NMD2.92 Female to 3.5mm Male, Adapter, RA3428 DC-33GHz, Straight

### Dimensions(mm) Tolerance $\pm 1\%$



### Electrical & Environmental

Frequency Range	DC-33GHz	Impedance	50 ohm
VSWR	1.2 max	Operating Temp	-55°C to +165°C
Insertion Loss	0.30dB max		

### Mechanical & Product Information

Product Number	RA3428, E-Grade, NMD Series	Connector	NMD2.92 Female to 3.5mm Male
Connector Body	Passivated stainless steel	Shape/Mounting	Straight, None
Center Contact	Gold plated beryllium copper	Insulator	PEI

### Typical Test Data

