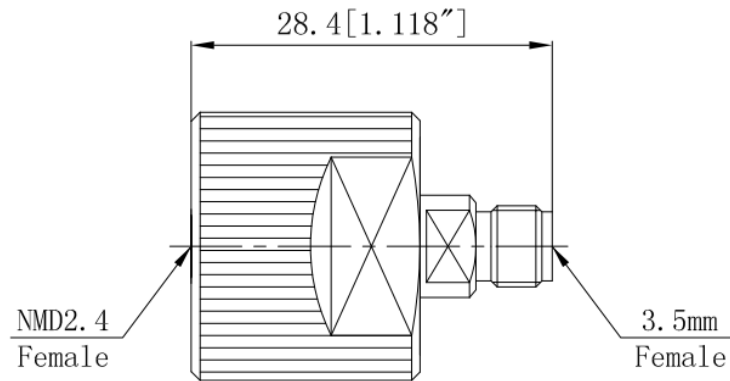




## NMD2.4 Female to 3.5mm Female, Adapter, RA3427 DC-33GHz, Straight

### Dimensions(mm) Tolerance±1%



### Electrical & Environmental

Frequency Range	DC-33GHz	Impedance	50 ohm
VSWR	1.2 max	Operating Temp	-55°C to +165°C
Insertion Loss	0.30dB max		

### Mechanical & Product Information

Product Number	RA3427, E-Grade, NMD Series	Connector	NMD2.4 Female to 3.5mm Female
Connector Body	Passivated stainless steel	Shape/Mounting	Straight, None
Center Contact	Gold plated beryllium copper	Insulator	PEI

### Typical Test Data

