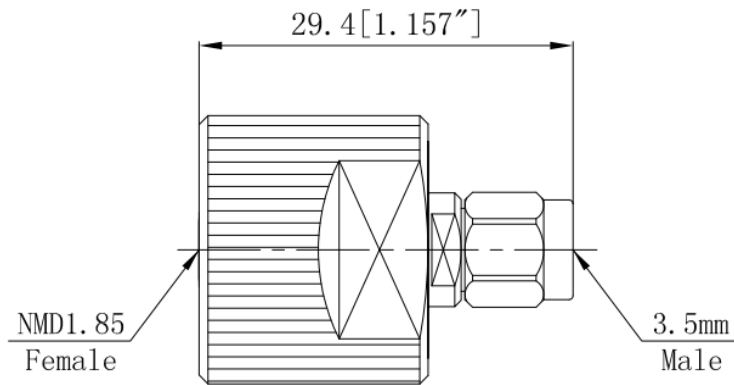




NMD1.85 Female to 3.5mm Male, Adapter, RA3424 DC-33GHz, Straight

Dimensions(mm) Tolerance $\pm 1\%$



Electrical & Environmental

Frequency Range	DC-33GHz	Impedance	50 ohm
VSWR	1.2 max	Operating Temp	-55°C to +165°C
Insertion Loss	0.30dB max		

Mechanical & Product Information

Product Number	RA3424, E-Grade, NMD Series	Connector	NMD1.85 Female to 3.5mm Male
Connector Body	Passivated stainless steel	Shape/Mounting	Straight, None
Center Contact	Gold plated beryllium copper	Insulator	PEI

Typical Test Data

