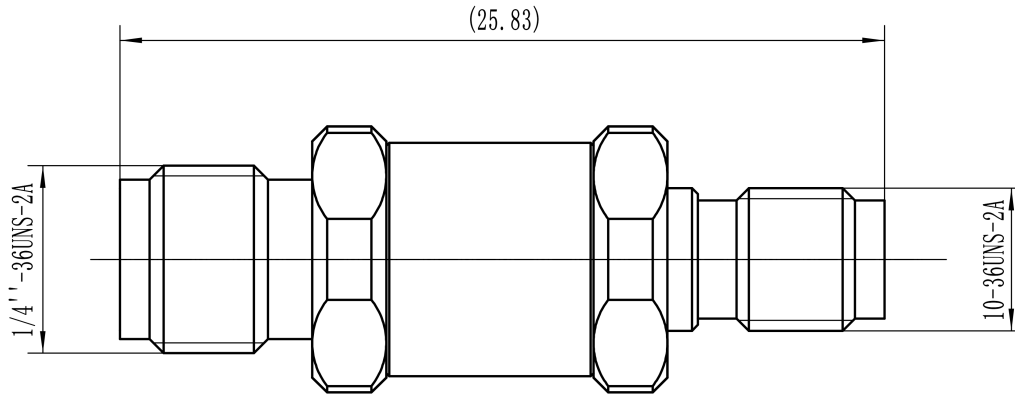




3.5mm Female to SSMA Female, Adapter, RA3423 DC-34GHz, Straight

Dimensions(mm) Tolerance±1%



Electrical & Environmental

Frequency Range	DC-34GHz	Impedance	50 ohm
VSWR	1.2 max (27-34GHz); 1.15 max (DC-27GHz)	Operating Temp	-55°C to +165°C

Mechanical & Product Information

Product Number	RA3423, H-Grade	Connector	3.5mm Female to SSMA Female
Connector Body	Passivated stainless steel	Shape/Mounting	Straight, None
Center Contact	Gold plated beryllium copper	Insulator	PEI

Typical Test Data

