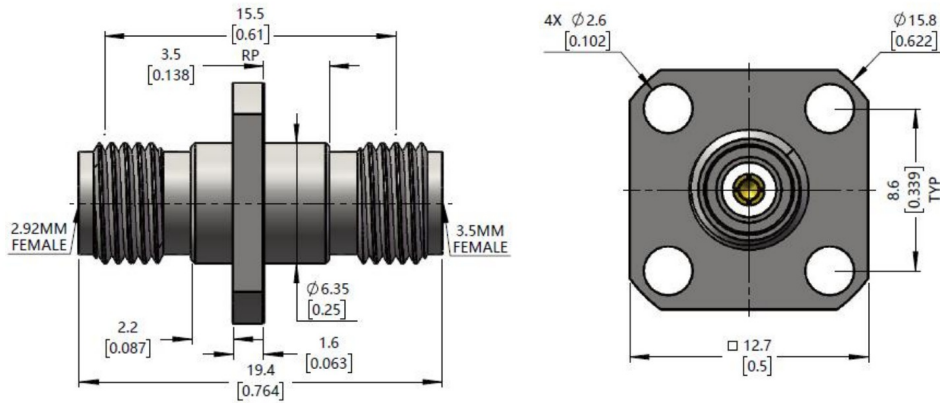


## 3.5mm Female to 2.92mm(K,SK) Female, Adapter, RA3404F DC-33GHz, Straight, 4 hole flange

### Dimensions(mm) Tolerance±1%



### Electrical & Environmental

<b>Frequency Range</b>	DC-33GHz	<b>Impedance</b>	50 ohm
<b>VSWR</b>	1.15 max	<b>Operating Temp</b>	-55°C to +165°C
<b>Insertion Loss</b>	0.23dB max		

### Mechanical & Product Information

<b>Product Number</b>	RA3404F, JP-Grade	<b>Connector</b>	3.5mm Female to 2.92mm(K,SK) Female
<b>Connector Body</b>	Passivated stainless steel	<b>Shape/Mounting</b>	Straight, 4 hole flange
<b>Center Contact</b>	Gold plated beryllium copper	<b>Insulator</b>	PEI