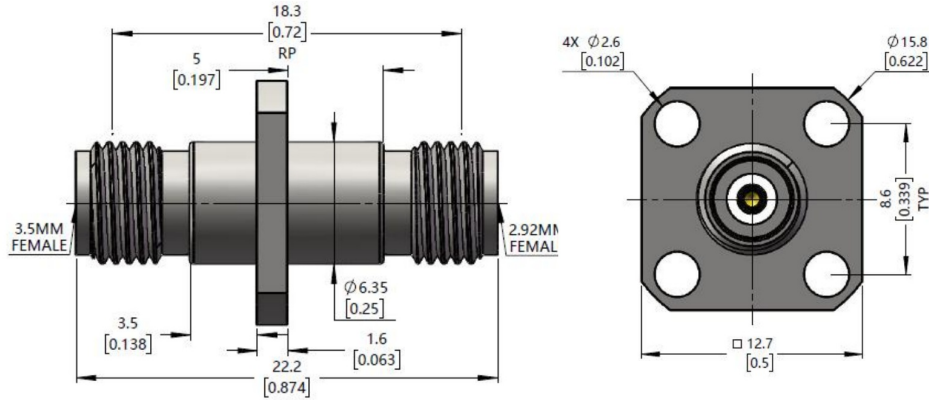


## 3.5mm Female to 2.92mm(K,SK) Female, Adapter, RA3404F-2 DC-33GHz, Straight, 4 hole flange

### Dimensions(mm) Tolerance±1%



### Electrical & Environmental

|                        |            |                       |                 |
|------------------------|------------|-----------------------|-----------------|
| <b>Frequency Range</b> | DC-33GHz   | <b>Impedance</b>      | 50 ohm          |
| <b>VSWR</b>            | 1.2 max    | <b>Operating Temp</b> | -55°C to +165°C |
| <b>Insertion Loss</b>  | 0.25dB max |                       |                 |

### Mechanical & Product Information

|                       |                              |                       |                                     |
|-----------------------|------------------------------|-----------------------|-------------------------------------|
| <b>Product Number</b> | RA3404F-2, JP-Grade          | <b>Connector</b>      | 3.5mm Female to 2.92mm(K,SK) Female |
| <b>Connector Body</b> | Passivated stainless steel   | <b>Shape/Mounting</b> | Straight, 4 hole flange             |
| <b>Center Contact</b> | Gold plated beryllium copper | <b>Insulator</b>      | PEI                                 |