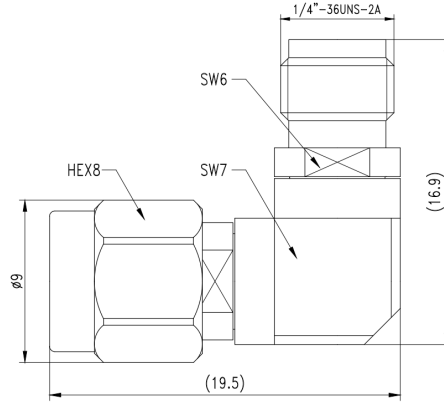




## 3.5mm Male to 3.5mm Female, Adapter, RA3403W DC-26.5GHz, Right Angle

### Dimensions(mm) Tolerance±1%



### Electrical & Environmental

Frequency Range	DC-26.5GHz	Impedance	50 ohm
VSWR	1.2 max	Operating Temp	-55°C to +165°C
Insertion Loss	0.20dB max $\leq 0.08\sqrt{f(\text{GHz})}$ dB		

### Mechanical & Product Information

Product Number	RA3403W, JP-Grade	Connector	3.5mm Male to 3.5mm Female
Connector Body	Passivated stainless steel	Shape/Mounting	Right Angle, None
Center Contact	BeCu/Brass,Gold plating	Insulator	PEI

### Typical Test Data

