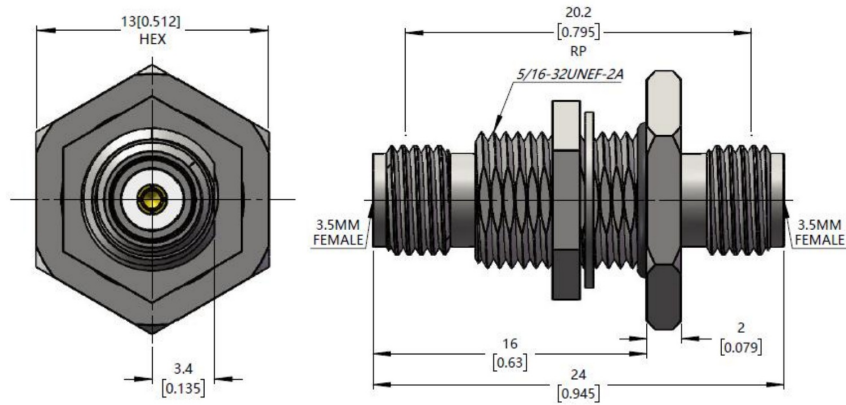




## 3.5mm Female to 3.5mm Female, Adapter, RA3401YS DC-33GHz, Straight, Bulkhead

### Dimensions(mm) Tolerance $\pm 1\%$



### Electrical & Environmental

Frequency Range	DC-33GHz	Impedance	50 ohm
VSWR	1.15 max	Operating Temp	-55°C to +165°C
Insertion Loss	0.23dB max		

### Mechanical & Product Information

Product Number	RA3401YS, JP-Grade, Sealing ring	Connector	3.5mm Female to 3.5mm Female
Connector Body	Passivated stainless steel	Shape/Mounting	Straight, Bulkhead
Center Contact	Gold plated beryllium copper	Insulator	PEI