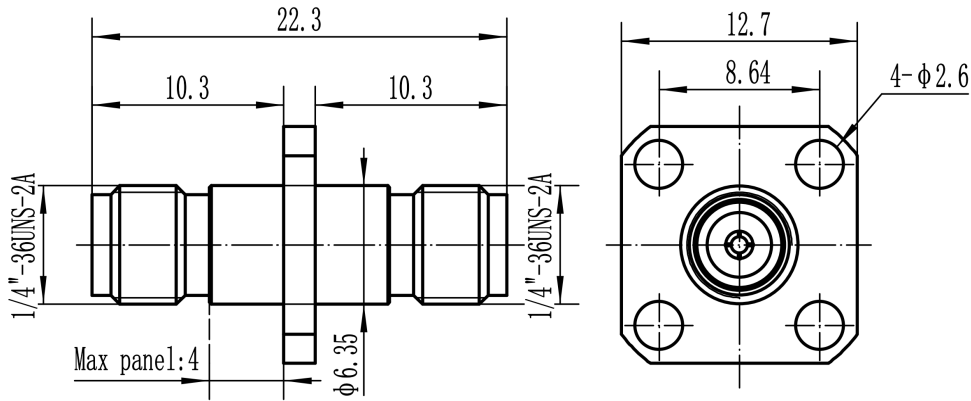




## 3.5mm Female to 3.5mm Female, Adapter, RA3401F DC-34GHz, Straight, 4 hole flange

### Dimensions(mm) Tolerance±1%



### Electrical & Environmental

Frequency Range	DC-34GHz	Impedance	50 ohm
VSWR	1.2 max	Operating Temp	-55°C to +165°C
Insertion Loss	0.25dB max , Typ 0.2dB		

### Mechanical & Product Information

Product Number	RA3401F, H-Grade	Connector	3.5mm Female to 3.5mm Female
Connector Body	Passivated stainless steel	Shape/Mounting	Straight, 4 hole flange
Center Contact	Gold plated beryllium copper	Insulator	PEI

### Typical Test Data

