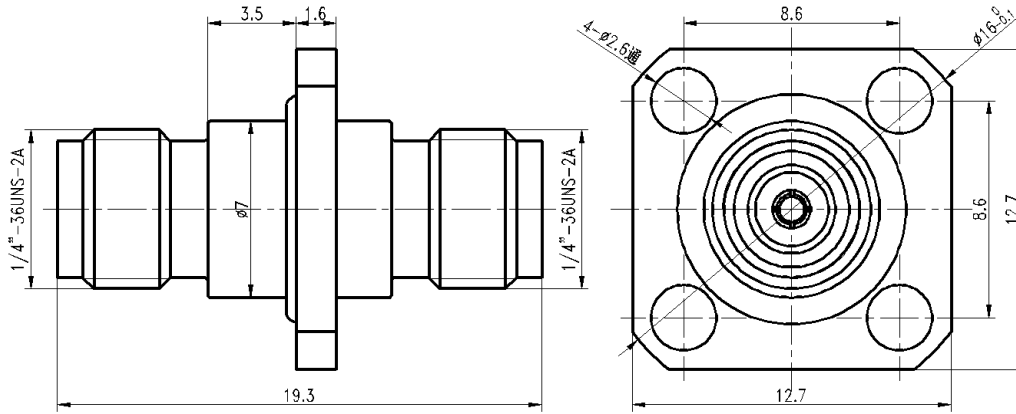


3.5mm Female to 3.5mm Female, Adapter, RA3401FS DC-34GHz, Straight, 4 hole flange

Dimensions(mm) Tolerance $\pm 1\%$



Electrical & Environmental

Frequency Range	DC-34GHz	Impedance	50 ohm
VSWR	1.2 max (26.5-34GHz); 1.15 max (DC-26.5GHz)	Operating Temp	-55°C to +165°C

Mechanical & Product Information

Product Number	RA3401FS, JP-Grade, Sealing ring	Connector	3.5mm Female to 3.5mm Female
Connector Body	Passivated stainless steel 316F	Shape/Mounting	Straight, 4 hole flange
Center Contact	1.27um gold plated beryllium copper	Insulator	PEI

