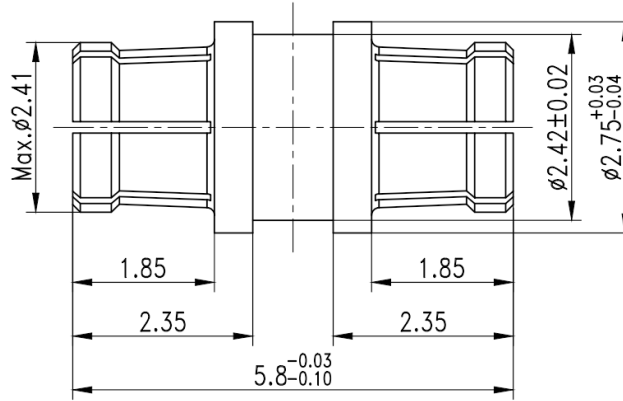




## SSMP Female to SSMP Female, Adapter, RA27SP01-GBC DC-26.5GHz, Straight

### Dimensions(mm) Tolerance $\pm 1\%$



### Electrical & Environmental

Frequency Range	DC-26.5GHz	Impedance	50 ohm
VSWR	1.25 max	Operating Temp	-40°C to +155°C

### Mechanical & Product Information

Product Number	RA27SP01-GBC, JP-Grade	Connector	SSMP Female to SSMP Female
Connector Body	Gold plated beryllium copper	Shape/Mounting	Straight, None
Center Contact	1.27um gold plated beryllium copper	Insulator	PTFE

### Typical Test Data

