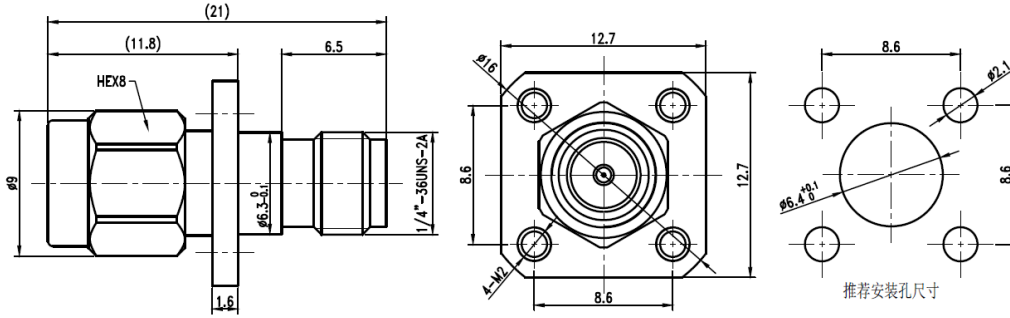


SMA Male to SMA Female, Adapter, RA27S03F DC-26.5GHz, Straight, 4 hole flange

Dimensions(mm) Tolerance $\pm 1\%$



Electrical & Environmental

Frequency Range	DC-26.5GHz	Impedance	50 ohm
VSWR	1.2 max	Operating Temp	-55°C to +165°C

Mechanical & Product Information

Product Number	RA27S03F, JP-Grade	Connector	SMA Male to SMA Female
Connector Body	Passivated stainless steel 316F	Shape/Mounting	Straight, 4 hole flange
Center Contact	1.27um gold plated beryllium copper	Insulator	PTFE

