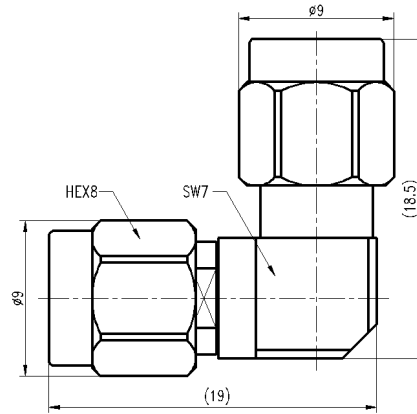


## SMA Male to SMA Male, Adapter, RA27S02W DC-18GHz, Right Angle

Dimensions(mm) Tolerance $\pm 1\%$



### Electrical & Environmental

<b>Frequency Range</b>	DC-18GHz	<b>Impedance</b>	50 ohm
<b>VSWR</b>	1.15 max	<b>Operating Temp</b>	-55°C to +165°C

### Mechanical & Product Information

<b>Product Number</b>	RA27S02W, JP-Grade	<b>Connector</b>	SMA Male to SMA Male
<b>Connector Body</b>	Passivated stainless steel 316F	<b>Shape/Mounting</b>	Right Angle, None
<b>Center Contact</b>	BeCu/Brass,Gold plating	<b>Insulator</b>	PTFE

