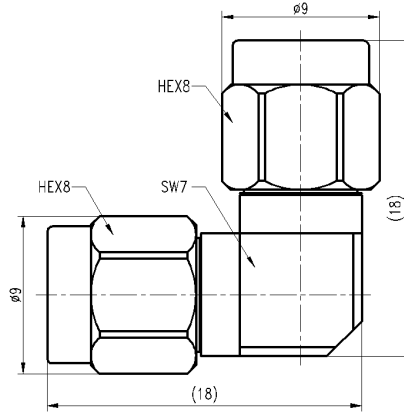


SMA Male to SMA Male, Adapter, RA27S02W-2 DC-26.5GHz, Right Angle

Dimensions(mm) Tolerance $\pm 1\%$



Electrical & Environmental

Frequency Range	DC-26.5GHz	Impedance	50 ohm
VSWR	1.2 max	Operating Temp	-55°C to +165°C

Mechanical & Product Information

Product Number	RA27S02W-2, JP-Grade	Connector	SMA Male to SMA Male
Connector Body	Passivated stainless steel 316F	Shape/Mounting	Right Angle, None
Center Contact	BeCu/Brass,Gold plating	Insulator	PEI&PTFE

