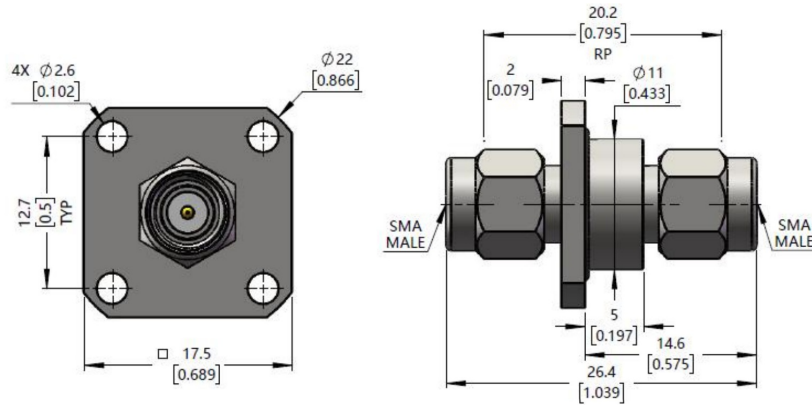


## SMA Male to SMA Male, Adapter, RA27S02FS DC-26.5GHz, Straight, 4 hole flange

### Dimensions(mm) Tolerance $\pm 1\%$



### Electrical & Environmental

<b>Frequency Range</b>	DC-26.5GHz	<b>Impedance</b>	50 ohm
<b>VSWR</b>	1.15 max	<b>Operating Temp</b>	-55°C to +165°C
<b>Insertion Loss</b>	0.20dB max		

### Mechanical & Product Information

<b>Product Number</b>	RA27S02FS, JP-Grade, Sealing ring	<b>Connector</b>	SMA Male to SMA Male
<b>Connector Body</b>	Passivated stainless steel	<b>Shape/Mounting</b>	Straight, 4 hole flange
<b>Center Contact</b>	Gold plated beryllium copper	<b>Insulator</b>	PEI&PTFE