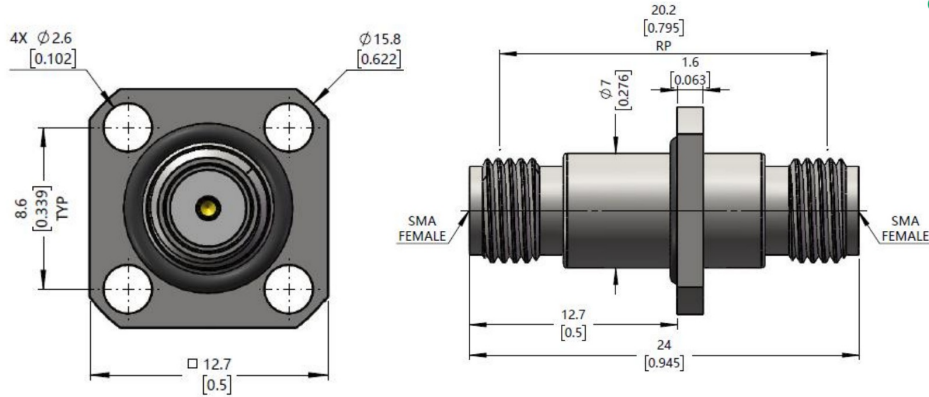


SMA Female to SMA Female, Adapter, RA27S01FS-2 DC-26.5GHz, Straight, 4 hole flange

Dimensions(mm) Tolerance±1%



Electrical & Environmental

Frequency Range	DC-26.5GHz	Impedance	50 ohm
VSWR	1.15 max	Operating Temp	-55°C to +165°C
Insertion Loss	0.20dB max		

Mechanical & Product Information

Product Number	RA27S01FS-2, JP-Grade, Sealing ring	Connector	SMA Female to SMA Female
Connector Body	Passivated stainless steel	Shape/Mounting	Straight, 4 hole flange
Center Contact	Gold plated beryllium copper	Insulator	PEI&PTFE