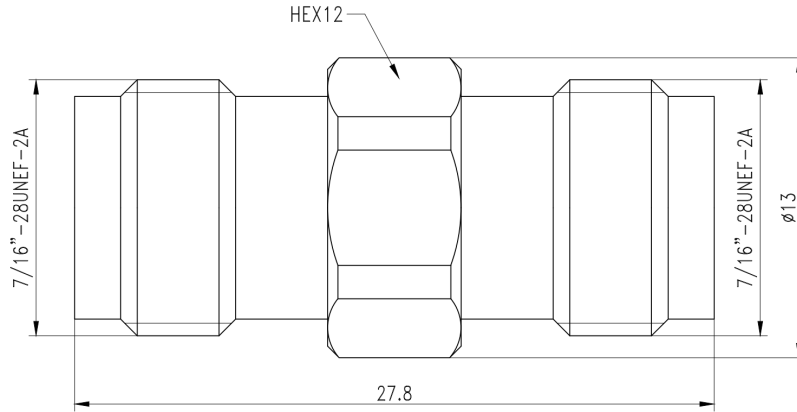




## TNC Female to TNC Female, Adapter, RA18TA01 DC-18GHz, Straight

### Dimensions(mm) Tolerance±1%



### Electrical & Environmental

Frequency Range	DC-18GHz	Impedance	50 ohm
VSWR	1.2 max	Operating Temp	-55°C to +165°C
Insertion Loss	0.30dB max $\leq 0.05\sqrt{f(\text{GHz})}$ dB		

### Mechanical & Product Information

Product Number	RA18TA01, JP-Grade	Connector	TNC Female to TNC Female
Connector Body	Passivated stainless steel	Shape/Mounting	Straight, None
Center Contact	Gold plated beryllium copper	Insulator	PTFE

### Typical Test Data

