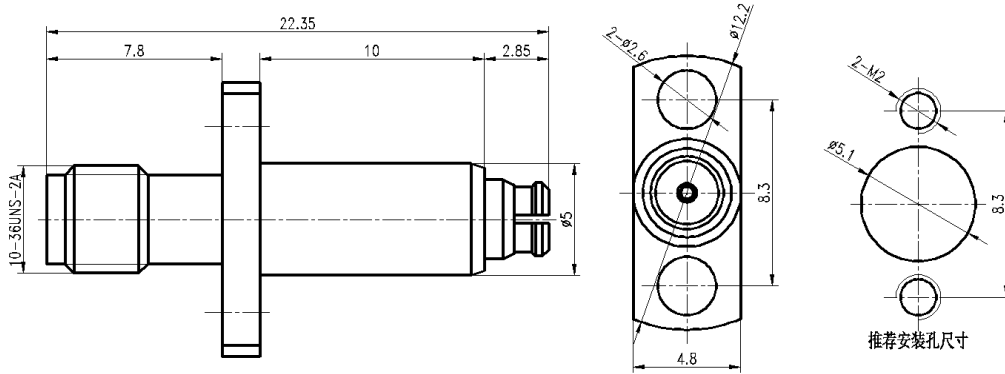




SSMA Female to SMP(GPO) Female, Adapter, RA18SA01F DC-18GHz, Straight, 2 hole flange

Dimensions(mm) Tolerance $\pm 1\%$



Electrical & Environmental

Frequency Range	DC-18GHz	Impedance	50 ohm
VSWR	1.25 max	Operating Temp	-40°C to +155°C

Mechanical & Product Information

Product Number	RA18SA01F, H-Grade	Connector	SSMA Female to SMP(GPO) Female
Connector Body	Gold plated brass	Shape/Mounting	Straight, 2 hole flange
Center Contact	Gold plated beryllium copper	Insulator	PTFE

Typical Test Data

