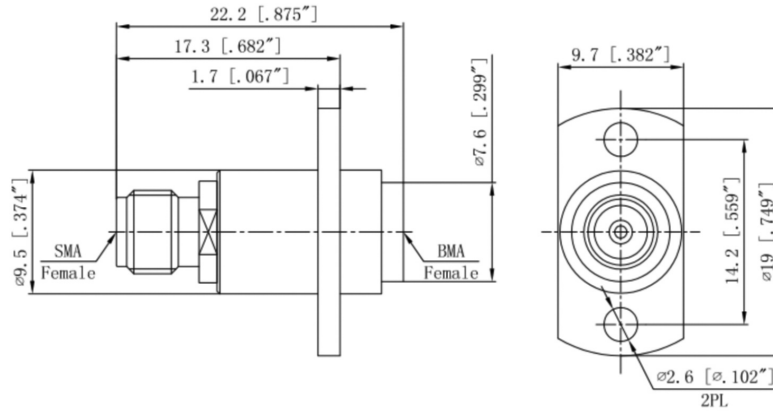


SMA Female to BMA Female, Adapter, RA18S37F-2 DC-18GHz, Straight, 2 hole flange

Dimensions(mm) Tolerance $\pm 1\%$



Electrical & Environmental

Frequency Range	DC-18GHz	Impedance	50 ohm
VSWR	1.35 max	Operating Temp	-55°C to +125°C

Mechanical & Product Information

Product Number	RA18S37F-2, E-Grade	Connector	SMA Female to BMA Female
Connector Body	Passivated stainless steel	Shape/Mounting	Straight, 2 hole flange
Center Contact	Gold plated beryllium copper	Insulator	PTFE