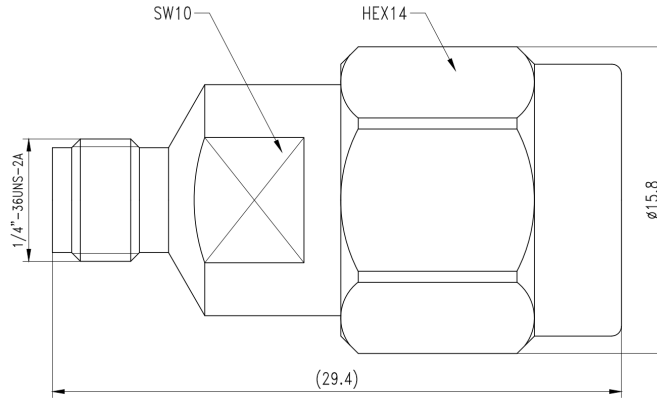




SMA Female to TNC Male, Adapter, RA18S35 DC-18GHz, Straight

Dimensions(mm) Tolerance±1%



Electrical & Environmental

Frequency Range	DC-18GHz	Impedance	50 ohm
VSWR	1.15 max (互配测试)	Operating Temp	-55°C to +165°C
Insertion Loss	0.20dB max $\leq 0.04\sqrt{f(\text{GHz})}$ dB		

Mechanical & Product Information

Product Number	RA18S35, JP-Grade	Connector	SMA Female to TNC Male
Connector Body	Passivated stainless steel	Shape/Mounting	Straight, None
Center Contact	Gold plated beryllium copper	Insulator	PEI&PTFE

Typical Test Data

