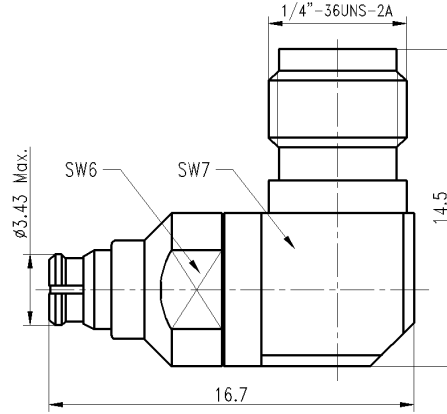




SMA Female to SMP(GPO) Female, Adapter, RA18S11W DC-18GHz, Right Angle

Dimensions(mm) Tolerance±1%



Electrical & Environmental

Frequency Range	DC-18GHz	Impedance	50 ohm
VSWR	1.3 max (互配测试)	Operating Temp	-55°C to +165°C

Mechanical & Product Information

Product Number	RA18S11W, JP-Grade	Connector	SMA Female to SMP(GPO) Female
Connector Body	Passivated stainless steel	Shape/Mounting	Right Angle, None
Center Contact	Gold plated beryllium copper	Insulator	PTFE

Typical Test Data

