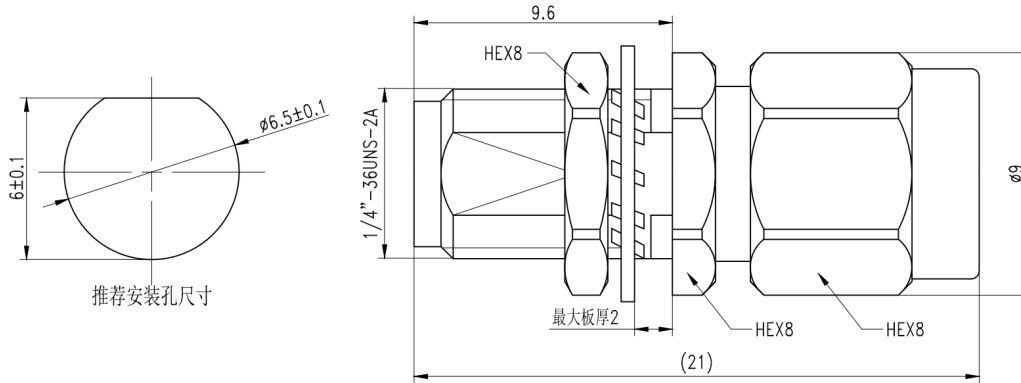




SMA Male to SMA Female, Adapter, RA18S03Y DC-26.5GHz, Straight, Bulkhead

Dimensions(mm) Tolerance±1%



Electrical & Environmental

Frequency Range	DC-26.5GHz	Impedance	50 ohm
VSWR	1.2 max (18-26.5GHz); 1.15 max (DC-18GHz)	Operating Temp	-55°C to +165°C
Insertion Loss	0.20dB max $\leq 0.04\sqrt{f(\text{GHz})}$ dB		

Mechanical & Product Information

Product Number	RA18S03Y, JP-Grade	Connector	SMA Male to SMA Female
Connector Body	Passivated stainless steel	Shape/Mounting	Straight, Bulkhead
Center Contact	Gold plated beryllium copper	Insulator	PTFE

Typical Test Data

