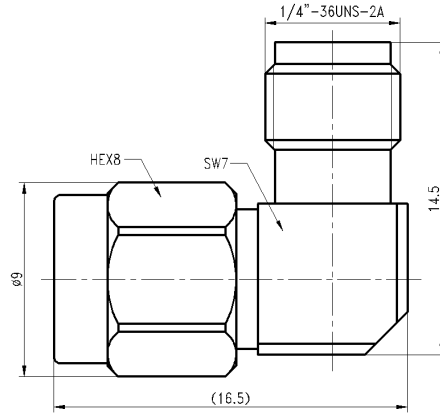




SMA Male to SMA Female, Adapter, RA18S03W-GBA DC-18GHz, Right Angle

Dimensions(mm) Tolerance±1%



Electrical & Environmental

Frequency Range	DC-18GHz	Impedance	50 ohm
VSWR	1.2 max	Operating Temp	-40°C to +155°C

Mechanical & Product Information

Product Number	RA18S03W-GBA, H-Grade	Connector	SMA Male to SMA Female
Connector Body	Gold plated brass	Shape/Mounting	Right Angle, None
Center Contact	BeCu/Brass,Gold plating	Insulator	PTFE

Typical Test Data

