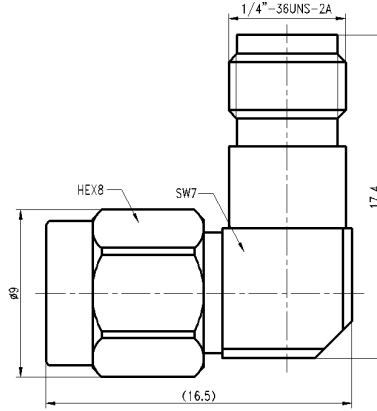


SMA Male to SMA Female, Adapter, RA18S03W-GBA-2 DC-18GHz, Right Angle

Dimensions(mm) Tolerance $\pm 1\%$



Electrical & Environmental

| | | | |
|------------------------|----------|-----------------------|-----------------|
| Frequency Range | DC-18GHz | Impedance | 50 ohm |
| VSWR | 1.2 max | Operating Temp | -40°C to +155°C |

Mechanical & Product Information

| | | | |
|-----------------------|--------------------------|-----------------------|------------------------|
| Product Number | RA18S03W-GBA-2, JP-Grade | Connector | SMA Male to SMA Female |
| Connector Body | Gold plated brass | Shape/Mounting | Right Angle, None |
| Center Contact | BeCu/Brass,Gold plating | Insulator | PTFE |

