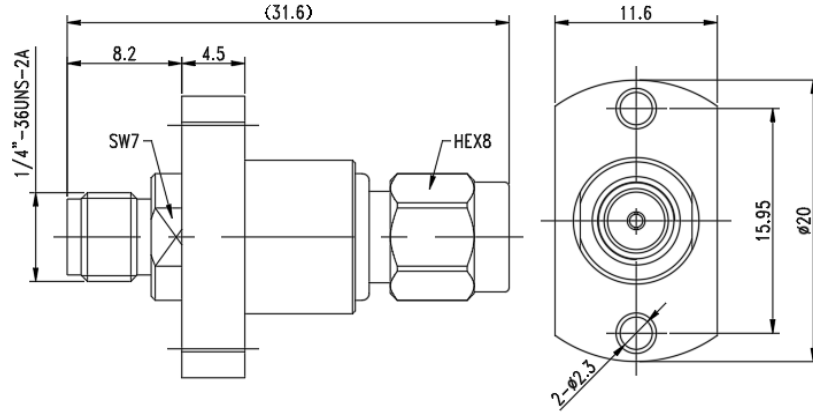


SMA Male to SMA Female, Adapter, RA18S03F-NBA DC-18GHz, Straight, 2 hole flange

Dimensions(mm) Tolerance $\pm 1\%$



Electrical & Environmental

Frequency Range	DC-18GHz	Impedance	50 ohm
VSWR	1.15 max	Operating Temp	-40°C to +155°C

Mechanical & Product Information

Product Number	RA18S03F-NBA, JP-Grade	Connector	SMA Male to SMA Female
Connector Body	Nickel plated brass	Shape/Mounting	Straight, 2 hole flange
Center Contact	1.27um gold plated beryllium copper	Insulator	PTFE

