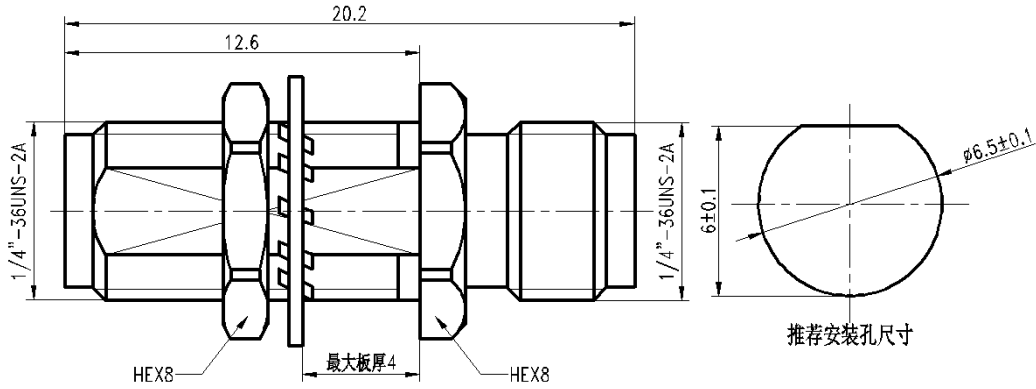


SMA Female to SMA Female, Adapter, RA18S01Y-3 DC-26.5GHz, Straight, Bulkhead

Dimensions(mm) Tolerance $\pm 1\%$



Electrical & Environmental

Frequency Range	DC-26.5GHz	Impedance	50 ohm
VSWR	1.2 max (18-26.5GHz); 1.15 max (DC-18GHz)	Operating Temp	-55°C to +165°C

Mechanical & Product Information

Product Number	RA18S01Y-3, JP-Grade	Connector	SMA Female to SMA Female
Connector Body	Passivated stainless steel 316F	Shape/Mounting	Straight, Bulkhead
Center Contact	1.27um gold plated beryllium copper	Insulator	PTFE

