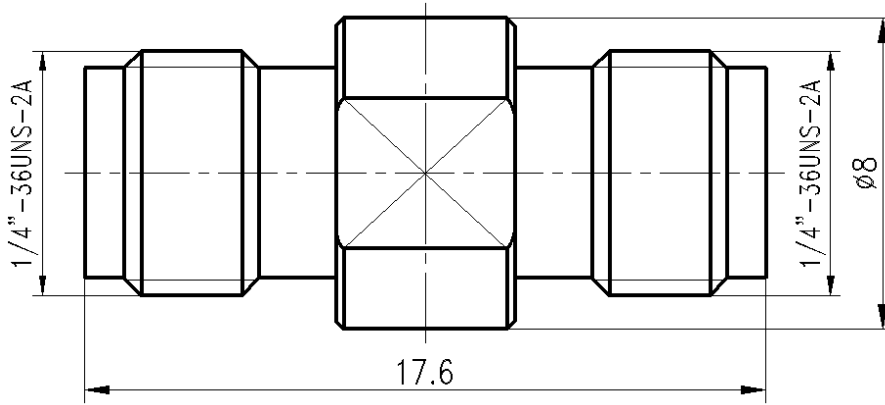




SMA Female to SMA Female, Adapter, RA18S01-GBA-2 DC-26.5GHz, Straight

Dimensions(mm) Tolerance±1%



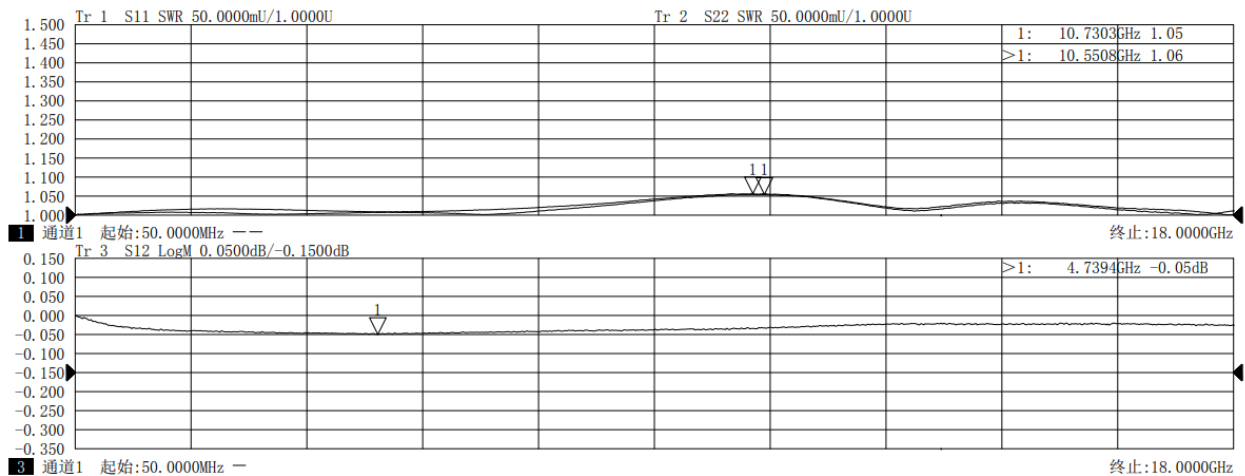
Electrical & Environmental

Frequency Range	DC-26.5GHz	Impedance	50 ohm
VSWR	1.15 max	Operating Temp	-40°C to +155°C
Insertion Loss	0.08dB max $\leq 0.04\sqrt{f(\text{GHz})}$ dB		

Mechanical & Product Information

Product Number	RA18S01-GBA-2, H-Grade	Connector	SMA Female to SMA Female
Connector Body	Gold plated brass	Shape/Mounting	Straight, None
Center Contact	Gold plated beryllium copper	Insulator	PTFE

Typical Test Data



通道1	扫描类型	起始频率	终止频率	扫描点数	中频带宽 (Hz)	扫描时间 (s)	端口1, 2功率 (dBm)
通道1	线性扫描	0.050000000GHz	18.000000000GHz	801	1000	0.757065	-5.0, -5.0