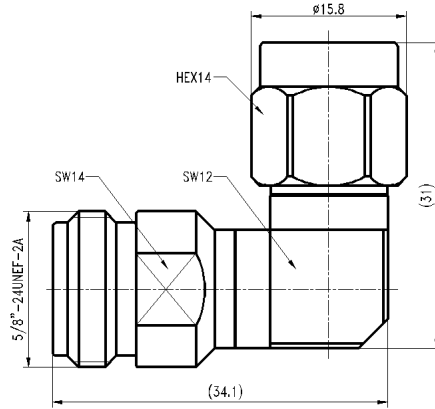


N Female to TNCA(TNC) Male, Adapter, RA18N26W DC-18GHz, Right Angle

Dimensions(mm) Tolerance $\pm 1\%$



Electrical & Environmental

| | | | |
|-----------------|----------|----------------|-----------------|
| Frequency Range | DC-18GHz | Impedance | 50 ohm |
| VSWR | 1.25 max | Operating Temp | -55°C to +165°C |

Mechanical & Product Information

| | | | |
|----------------|---------------------------------|----------------|----------------------------|
| Product Number | RA18N26W, JP-Grade | Connector | N Female to TNCA(TNC) Male |
| Connector Body | Passivated stainless steel 316F | Shape/Mounting | Right Angle, None |
| Center Contact | BeCu/Brass,Gold plating | Insulator | PEI&PTFE |

