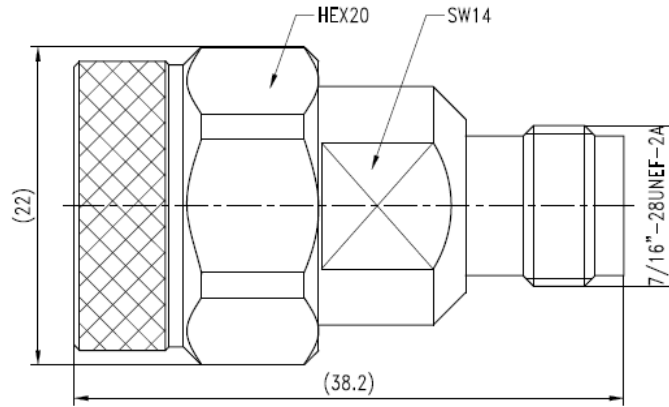


## N Male to TNCA(TNC) Female, Adapter, RA18N25-2 DC-18GHz, Straight

### Dimensions(mm) Tolerance $\pm 1\%$



### Electrical & Environmental

<b>Frequency Range</b>	DC-18GHz	<b>Impedance</b>	50 ohm
<b>VSWR</b>	1.2 max	<b>Operating Temp</b>	-55°C to +165°C

### Mechanical & Product Information

<b>Product Number</b>	RA18N25-2, JP-Grade	<b>Connector</b>	N Male to TNCA(TNC) Female
<b>Connector Body</b>	Passivated stainless steel 316F	<b>Shape/Mounting</b>	Straight, None
<b>Center Contact</b>	1.27um gold plated beryllium copper	<b>Insulator</b>	PEI&PTFE

