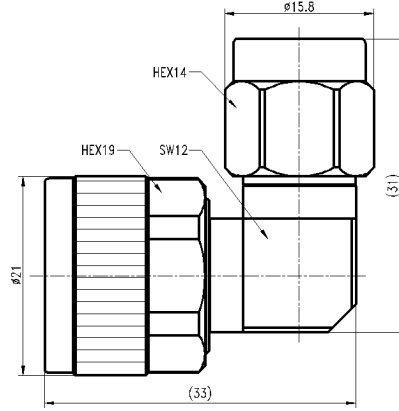


N Male to TNCA(TNC) Male, Adapter, RA18N24W DC-18GHz, Right Angle

Dimensions(mm) Tolerance $\pm 1\%$



Electrical & Environmental

Frequency Range	DC-18GHz	Impedance	50 ohm
VSWR	1.25 max	Operating Temp	-55°C to +165°C

Mechanical & Product Information

Product Number	RA18N24W, JP-Grade	Connector	N Male to TNCA(TNC) Male
Connector Body	Passivated stainless steel 316F	Shape/Mounting	Right Angle, None
Center Contact	BeCu/Brass,Gold plating	Insulator	PEI&PTFE

