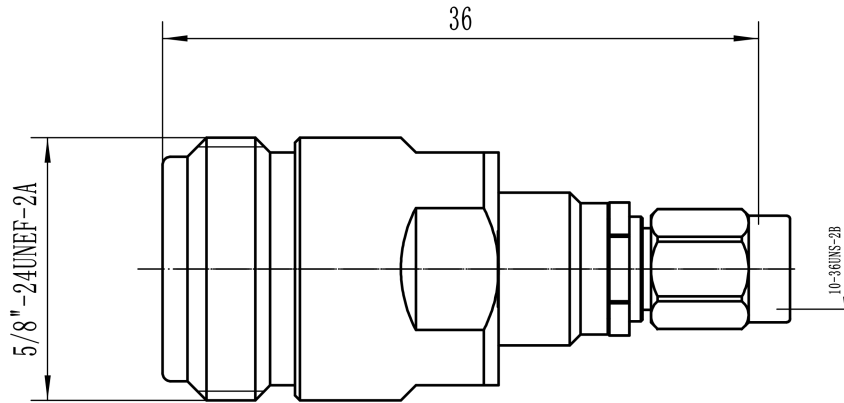




N Female to SSMA Male, Adapter, RA18N22 DC-18GHz, Straight

Dimensions(mm) Tolerance±1%



Electrical & Environmental

Frequency Range	DC-18GHz	Impedance	50 ohm
VSWR	1.15 max	Operating Temp	-55°C to +165°C

Mechanical & Product Information

Product Number	RA18N22, H-Grade	Connector	N Female to SSMA Male
Connector Body	Passivated stainless steel	Shape/Mounting	Straight, None
Center Contact	Gold plated beryllium copper	Insulator	PEI

Typical Test Data

