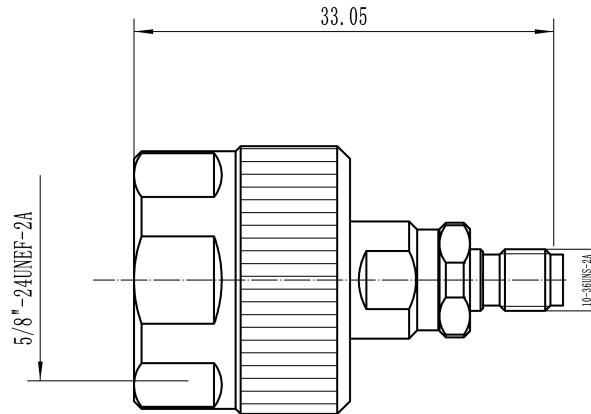




N Male to SSMA Female, Adapter, RA18N21 DC-18GHz, Straight

Dimensions(mm) Tolerance $\pm 1\%$



Electrical & Environmental

| | | | |
|-----------------|----------|----------------|-----------------|
| Frequency Range | DC-18GHz | Impedance | 50 ohm |
| VSWR | 1.15 max | Operating Temp | -55°C to +165°C |

Mechanical & Product Information

| | | | |
|----------------|------------------------------|----------------|-----------------------|
| Product Number | RA18N21, H-Grade | Connector | N Male to SSMA Female |
| Connector Body | Passivated stainless steel | Shape/Mounting | Straight, None |
| Center Contact | Gold plated beryllium copper | Insulator | PEI |

Typical Test Data

