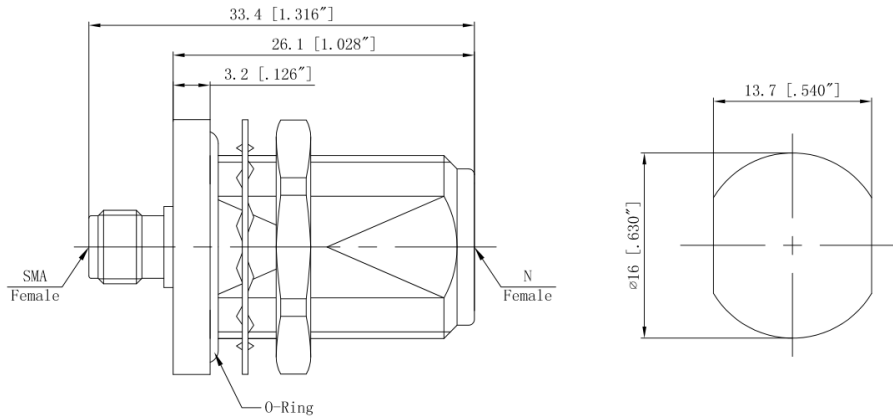




N Female to SMA Female, Adapter, RA18N19YS-TBA DC-18GHz, Straight, Bulkhead

Dimensions(mm) Tolerance±1%



Electrical & Environmental

Frequency Range	DC-18GHz	Impedance	50 ohm
VSWR	1.25 max	Operating Temp	-55°C to +165°C

Mechanical & Product Information

Product Number	RA18N19YS-TBA, E-Grade, Sealing ring	Connector	N Female to SMA Female
Connector Body	Ternary alloy plated brass	Shape/Mounting	Straight, Bulkhead
Center Contact	Gold plated beryllium copper	Insulator	PTFE

Typical Test Data

