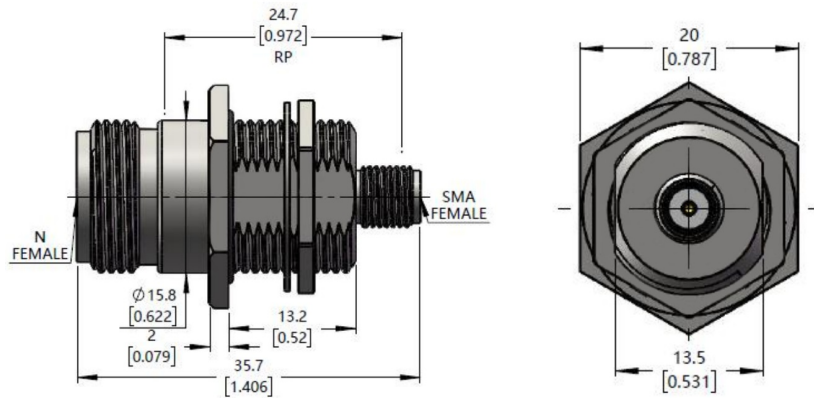




N Female to SMA Female, Adapter, RA18N19YS-2 DC-18GHz, Straight, Bulkhead

Dimensions(mm) Tolerance $\pm 1\%$



Electrical & Environmental

Frequency Range	DC-18GHz	Impedance	50 ohm
VSWR	1.15 max	Operating Temp	-55°C to +165°C
Insertion Loss	0.17dB max		

Mechanical & Product Information

Product Number	RA18N19YS-2, JP-Grade, Sealing ring	Connector	N Female to SMA Female
Connector Body	Passivated stainless steel	Shape/Mounting	Straight, Bulkhead
Center Contact	Gold plated beryllium copper	Insulator	PEI&PTFE