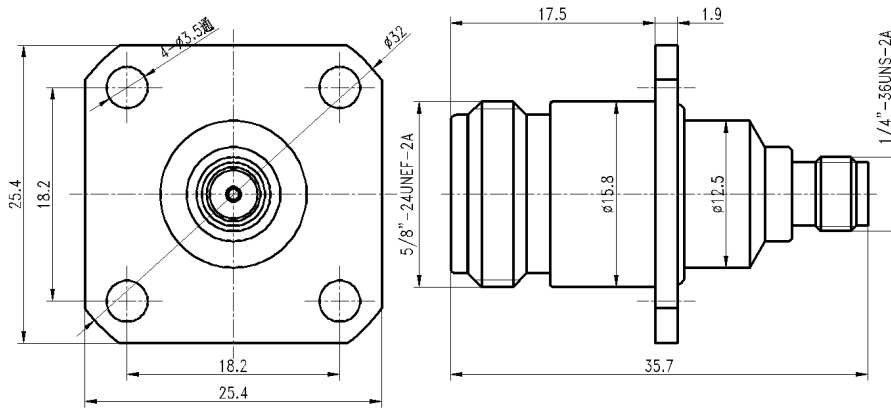


## N Female to SMA Female, Adapter, RA18N19FS-NBA DC-18GHz, Straight, 4 hole flange

### Dimensions(mm) Tolerance $\pm 1\%$



### Electrical & Environmental

<b>Frequency Range</b>	DC-18GHz	<b>Impedance</b>	50 ohm
<b>VSWR</b>	1.2 max	<b>Operating Temp</b>	-40°C to +155°C

### Mechanical & Product Information

<b>Product Number</b>	RA18N19FS-NBA, JP-Grade, Sealing ring	<b>Connector</b>	N Female to SMA Female
<b>Connector Body</b>	Nickel plated brass	<b>Shape/Mounting</b>	Straight, 4 hole flange
<b>Center Contact</b>	Gold plated phosphor bronze	<b>Insulator</b>	PTFE&PEI

