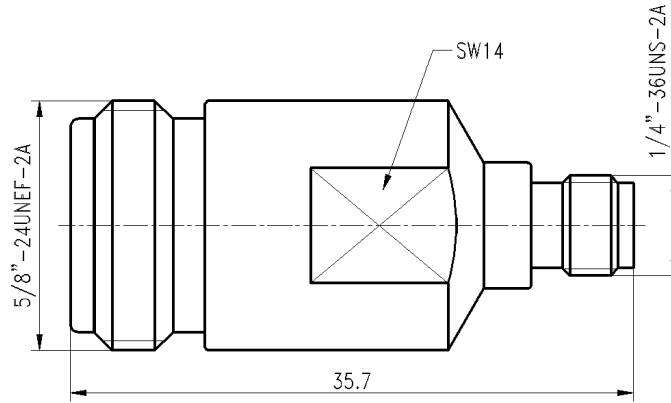


N Female to SMA Female, Adapter, RA18N19-NBA DC-18GHz, Straight

Dimensions(mm) Tolerance $\pm 1\%$



Electrical & Environmental

Frequency Range	DC-18GHz	Impedance	50 ohm
VSWR	1.15 max	Operating Temp	-40°C to +155°C

Mechanical & Product Information

Product Number	RA18N19-NBA, JP-Grade	Connector	N Female to SMA Female
Connector Body	Nickel plated brass	Shape/Mounting	Straight, None
Center Contact	Gold plated phosphor bronze	Insulator	PTFE&PEI

