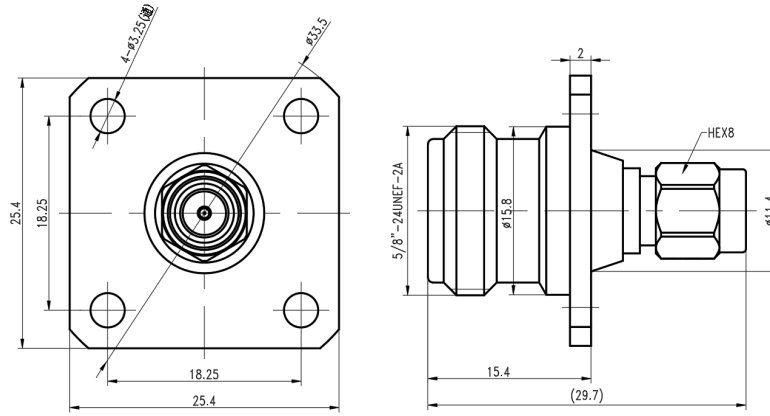


N Female to SMA Male, Adapter, RA18N18F-TBA DC-18GHz, Straight, 4 hole flange

Dimensions(mm) Tolerance $\pm 1\%$



Electrical & Environmental

Frequency Range	DC-18GHz	Impedance	50 ohm
VSWR	1.2 max	Operating Temp	-40°C to +155°C

Mechanical & Product Information

Product Number	RA18N18F-TBA, JP-Grade	Connector	N Female to SMA Male
Connector Body	Ternary alloy plated brass & Gold plated brass	Shape/Mounting	Straight, 4 hole flange
Center Contact	1.27um gold plated beryllium copper	Insulator	PTFE

