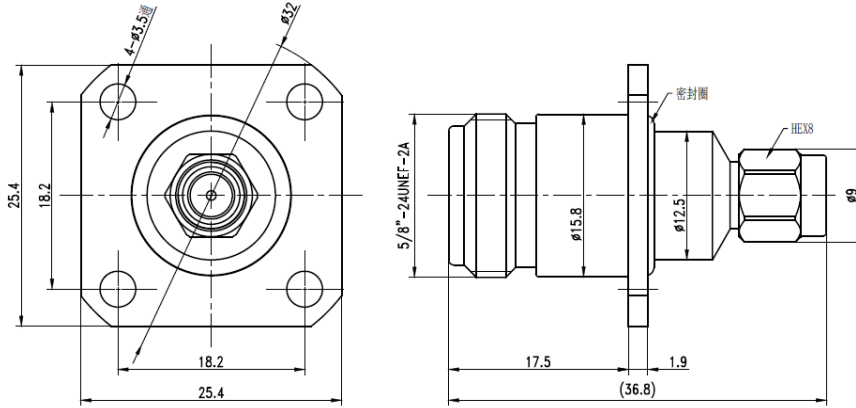




N Female to SMA Male, Adapter, RA18N18F-NBA DC-18GHz, Straight, 4 hole flange

Dimensions(mm) Tolerance±1%



Electrical & Environmental

Frequency Range	DC-18GHz	Impedance	50 ohm
VSWR	1.2 max	Operating Temp	-40°C to +155°C

Mechanical & Product Information

Product Number	RA18N18F-NBA, H-Grade, Sealing ring	Connector	N Female to SMA Male
Connector Body	Nickel plated brass	Shape/Mounting	Straight, 4 hole flange
Center Contact	Gold plated phosphor bronze	Insulator	PTFE&PEI

Typical Test Data

