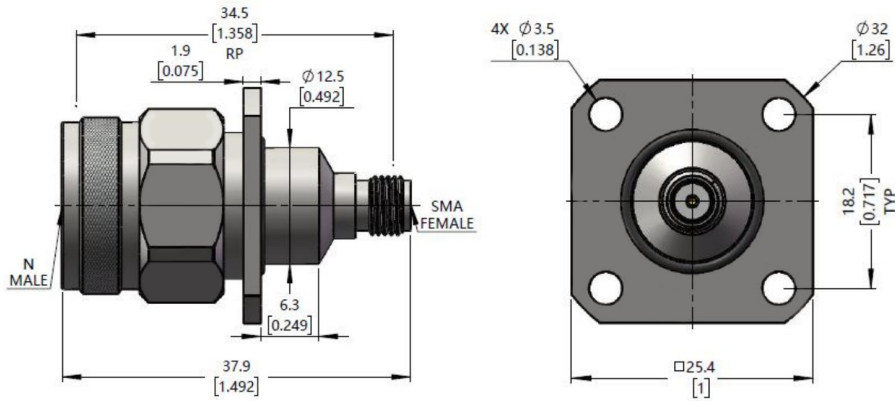


## N Male to SMA Female, Adapter, RA18N17FS DC-18GHz, Straight, 4 hole flange

### Dimensions(mm) Tolerance $\pm 1\%$



### Electrical & Environmental

Frequency Range	DC-18GHz	Impedance	50 ohm
VSWR	1.15 max	Operating Temp	-55°C to +165°C
Insertion Loss	0.17dB max		

### Mechanical & Product Information

Product Number	RA18N17FS, JP-Grade, Sealing ring	Connector	N Male to SMA Female
Connector Body	Passivated stainless steel	Shape/Mounting	Straight, 4 hole flange
Center Contact	Gold plated beryllium copper	Insulator	PEI&PTFE