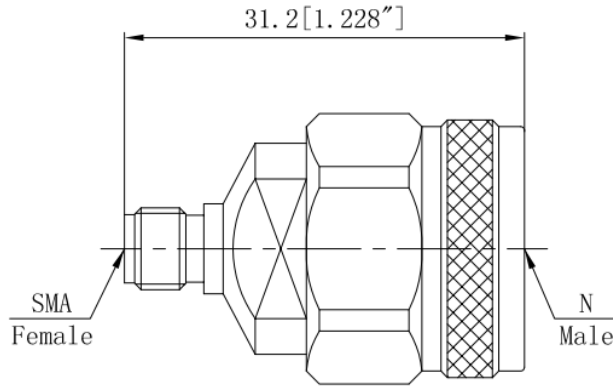




## N Male to SMA Female, Adapter, RA18N17-TBA DC-18GHz, Straight

Dimensions(mm) Tolerance $\pm 1\%$



### Electrical & Environmental

Frequency Range	DC-18GHz	Impedance	50 ohm
VSWR	1.25 max	Operating Temp	-55°C to +165°C

### Mechanical & Product Information

Product Number	RA18N17-TBA, E-Grade	Connector	N Male to SMA Female
Connector Body	Ternary alloy plated brass	Shape/Mounting	Straight, None
Center Contact	Gold plated beryllium copper	Insulator	PTFE

### Typical Test Data

