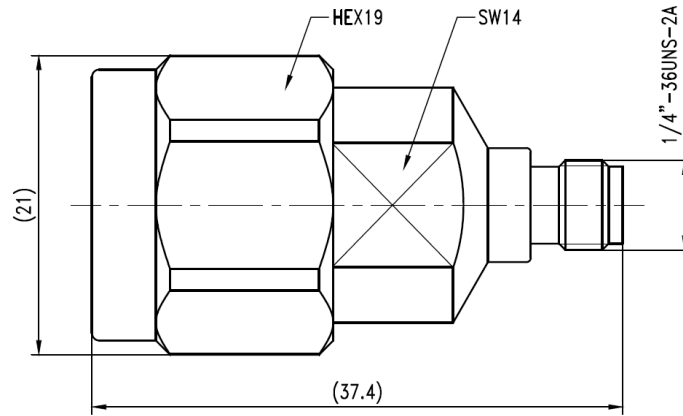




N Male to SMA Female, Adapter, RA18N17-NBA DC-18GHz, Straight

Dimensions(mm) Tolerance±1%



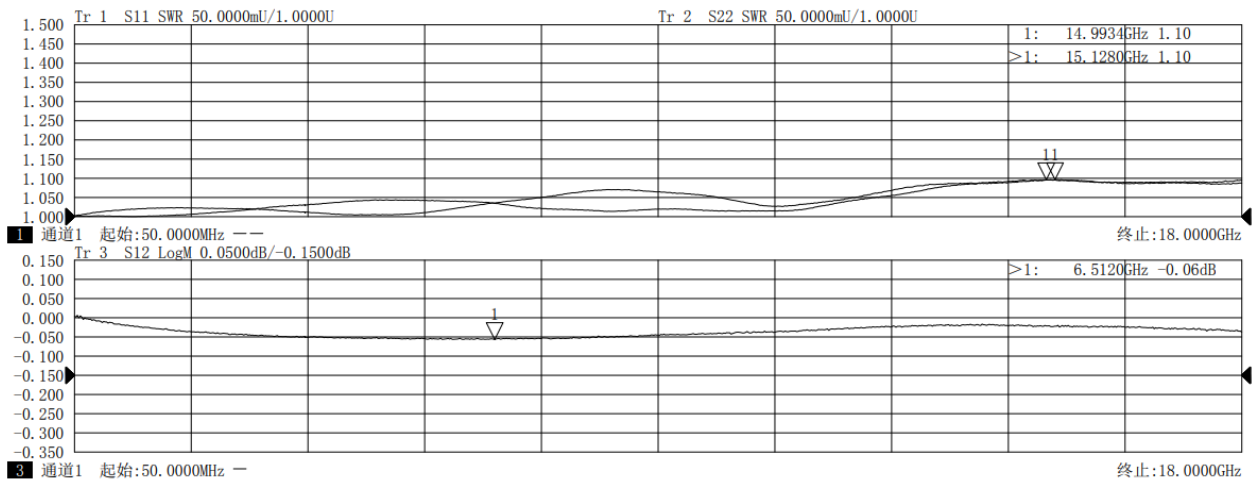
Electrical & Environmental

Frequency Range	DC-18GHz	Impedance	50 ohm
VSWR	1.15 max	Operating Temp	-40°C to +155°C
Insertion Loss	0.08dB max $\leq 0.04\sqrt{f(\text{GHz})}$ dB		

Mechanical & Product Information

Product Number	RA18N17-NBA, H-Grade	Connector	N Male to SMA Female
Connector Body	Nickel plated brass	Shape/Mounting	Straight, None
Center Contact	Gold plated phosphor bronze	Insulator	PEI&PTFE

Typical Test Data



通道1	扫描类型	起始频率	终止频率	扫描点数	中频带宽 (Hz)	扫描时间 (s)	端口1, 2功率 (dBm)
通道1	线性扫描	0.050000000GHz	18.000000000GHz	801	1000	0.757065	-5.0, -5.0