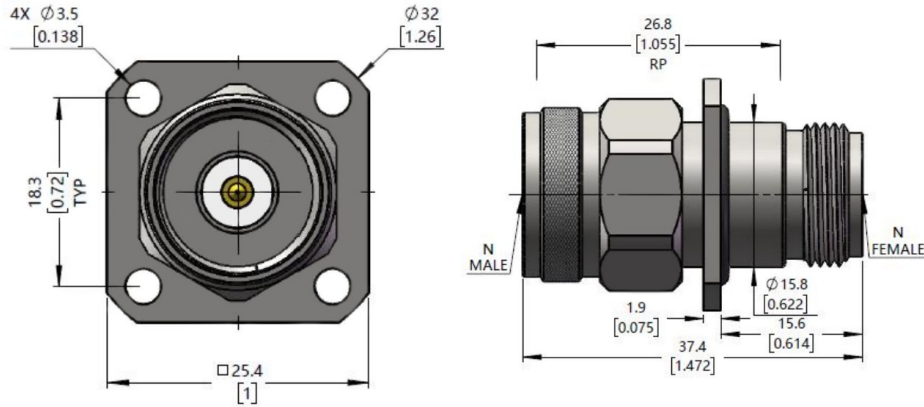


N Male to N Female, Adapter, RA18N03FS DC-18GHz, Straight, 4 hole flange

Dimensions(mm) Tolerance $\pm 1\%$



Electrical & Environmental

| | | | |
|------------------------|------------|-----------------------|-----------------|
| Frequency Range | DC-18GHz | Impedance | 50 ohm |
| VSWR | 1.15 max | Operating Temp | -55°C to +165°C |
| Insertion Loss | 0.17dB max | | |

Mechanical & Product Information

| | | | |
|-----------------------|-----------------------------------|-----------------------|-------------------------|
| Product Number | RA18N03FS, JP-Grade, Sealing ring | Connector | N Male to N Female |
| Connector Body | Passivated stainless steel | Shape/Mounting | Straight, 4 hole flange |
| Center Contact | Gold plated beryllium copper | Insulator | PEI |