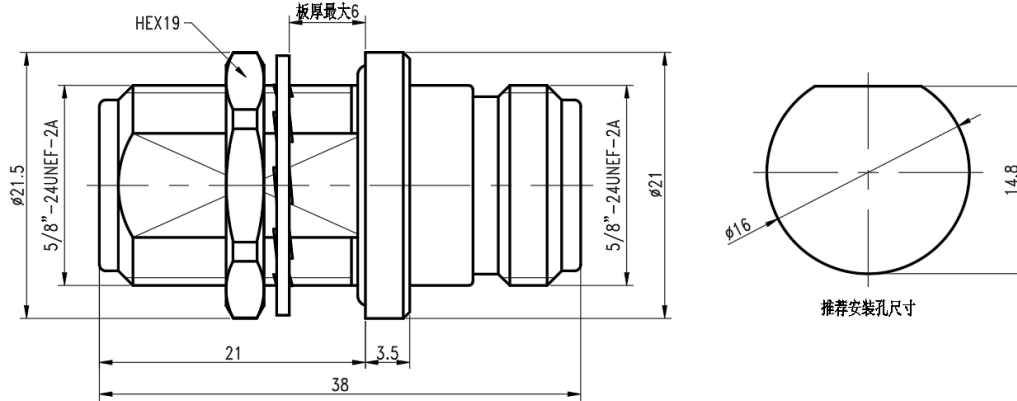




## N Female to N Female, Adapter, RA18N01YS DC-18GHz, Straight, Bulkhead

### Dimensions(mm) Tolerance±1%



### Electrical & Environmental

Frequency Range	DC-18GHz	Impedance	50 ohm
VSWR	1.15 max	Operating Temp	-55°C to +165°C
Insertion Loss	0.20dB max $\leq 0.1\sqrt{f(\text{GHz})}$ dB		

### Mechanical & Product Information

Product Number	RA18N01YS, JP-Grade, Sealing ring	Connector	N Female to N Female
Connector Body	Passivated stainless steel	Shape/Mounting	Straight, Bulkhead
Center Contact	Gold plated beryllium copper	Insulator	PEI

### Typical Test Data

